



Laser Marking Systems

Videojet® 7230/7330

The 7230 and 7330 are versatile fiber laser marking systems that offer high-speed marking, even with complex data, easy operability and industry-leading integration capabilities.

The Videojet 7230 (10-Watt) and 7330 (20-Watt) fiber lasers are a light, compact and agile solution, designed to deliver high-quality, permanent codes for a wide range of marking applications.

The smallest laser head combined with the widest marking fields in the market, versus other laser manufacturers, means the fiber lasers are an ideal solution for parts-marking, food, beverage, consumer packaged goods, pharmaceutical and cosmetics manufacturers.



Uptime Advantage

- Maximize performance with long-life laser source expectancy up to 100,000 hours mean time before failure (MTBF)
- Air-cooled laser source that virtually eliminates maintenance intervals
- No wear parts help to minimize downtime

Simple usability

- Focus more on production and less on user interaction and maintenance with an easy-to-use laser solution that is intuitive to the operator without the need for additional training
- Reduce the risk of rework and recalls with familiar look and feel user interfaces, offering simple operation and message creation
- Choose from a variety of user interfaces to control Videojet laser marking systems, including Videojet Touch Control Software (TCS+) and Videojet CLARiTY™ utilized in other Videojet marking and coding solutions

Built-in productivity

- Improve marking productivity with a combination of the largest marking window in the industry and 2000 characters per second marking speeds*
- Benefit from standard and customizable communication protocols
- Achieve top speeds with serialization data and complex codes, thanks to faster data processing capabilities versus previous Videojet lasers

Easy integration

- Benefit from greater versatility in tight spaces with a compact, lightweight marking head weighing only 4.4kg*
- Seamlessly integrate the 7230 or 7330 fiber laser into your production line with EtherNet / IP™ and PROFINET
- Achieve greater flexibility in production line integration with a choice of working distances, and the orientation option of either a straight or 90 degree marking head

* 6mm laser marking head

Videojet® 7230/7330

Laser Marking Systems

Marking fields

	6mm marking head SHF60A				10mm marking head SHF100A			
Focal Length	50	100	165	258	100	163	254	420
Max. height/mm	19.5	70.2	115.4	180.5	75.8	142.2	215.5	361.5
Max. width/mm	26	70.2	115.4	180.5	118.7	193.5	301.5	498.5

Marking formats

Standard fonts (Windows® TrueType®/ TTF; PostScript®/ PFA, PFB; Open Type®/ OTF) and individual fonts, such as high-speed or OCR
 Machine-readable codes: ID-MATRIX; ECC plain; BAR CODES/ -stacked omnidirectional/ -limited [CCA/B]/ expanded
 Graphics/ graphic components, logos, symbols, etc. (dxf, jpg, ai, etc.)
 Linear, circular, angular text marking; rotation, reflection, expansion, compression of marking contents
 Sequence and serial numbering; Automatic date, layer and time coding, real-time clock;
 Online coding of individual data (weight, contents, etc.)

Laser source

Ytterbium (Yb) pulsed fiber laser
 Power classes 10 and 20 Watt
 Central emission wavelength: 1,055 - 1,075nm (1.055 - 1.075µm)

Laser beam deflection

Digital high-speed galvanometer scan

Laser beam orientation

90-degree (standard) and straight-out (option)

Focusing (precision optics):

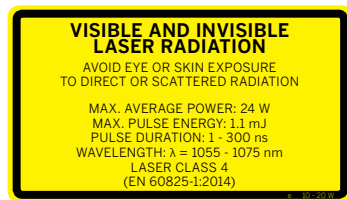
Focal lengths 6mm marking head: f = 50/ 100/ 165/ 258mm
 Focal lengths 10mm marking head: f = 100/ 163/ 254/ 420mm

User interfaces

Integrated keypad
 Handheld control unit; configurable in 16 languages (option)
 Smart Graph software on PC; configurable in 20 languages (option)

Smart Graph software

Graphics-orientated user interface under Windows® for the intuitive and fast preparation of complete marking jobs on PCs
 System configuration
 Text/ data/ graphics/ parameter editor
 Configurable in 20 languages, e.g. in German, English, Japanese
 Easy access to standard CAD and graphics programs thanks to import functions for the most important file formats (dxf, jpg, ai, etc.)
 WYSIWYG
 Various password-protected security levels



Smart Graph Com software

ActiveX software interface for integration into operation software

Communication

Ethernet (TCP/IP, 100Mbit LAN), RS232, digital I/Os
 Inputs for encoders and product detector triggers
 I/Os for start, stop, external error, job select, trigger, trigger enable, encoder; system ready, ready to mark, marking, shutter closed, error, bad, good signals and machine/ operator interlocks
 Customer-specific solutions

Integration

Direct integration into complex production lines through the laser's scripting interface
 Integration via Ethernet and RS232 interface
 Highly precise side guided height adjustment via dovetail joint

Electrical requirements

100 - 240 V (autorange), 200 VA, 1 PH, 50/60 Hz

Environmental protection

Supply unit: IP21, air cooled
 Laser head: IP54, air cooled

Temperature/humidity range

5 - 40° C (40 - 105° F) / 10 - 90 %, non-condensing

Weight

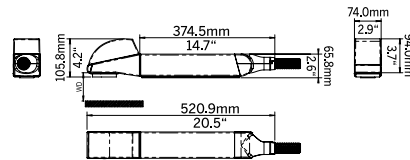
Supply unit – 18.5kg / 40.8 lbs
 Marking unit 6mm – 4.4kg / 9.7 lbs
 Marking unit 10mm – 5.4kg / 11.9 lbs

Applicable certifications

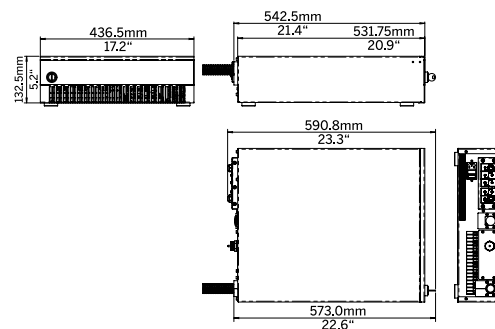
CE, TÜV/NRTL, FCC
 Compliance (no certification required): ROHS, CFRH/FDA

Marking unit dimensions

6mm marking head (SHF60A), standard, 90° beam exit (Drawings for other configurations available upon request)



Supply unit dimensions



New printer quote 866-871-3226

Order supplies shop.videojet.com

Call **800-843-3610**

or visit www.videojet.com

or email info@videojet.com

Videojet Technologies Inc.

1500 Mittel Blvd. Wood Dale IL 60191 / USA

©2019 Videojet Technologies Inc. — All rights reserved.

Videojet Technologies Inc.'s policy is one of continued product improvement. We reserve the right to alter design and/or specifications without notice. Windows and OpenType are registered trademarks of Microsoft Corporation. TrueType is a registered trademark of Apple Computer, Inc. PostScript is a registered trademark of Adobe Systems Inc. Ethernet/IP is a trademark of ODVA. PROFINET is a registered trademark of Profibus & Profnet International (PI).

Part No. SL000674
 ss-7230-7330-us-0919
 Printed in U.S.A.

