



Continuous Inkjet

Videojet® 1240

From the intuitive interface to smart design features, the Videojet 1240 continuous inkjet (CIJ) printer is designed to be the easy CIJ printer to operate.

Ownership and usability are made easy with the Videojet 1240 continuous inkjet (CIJ) printer.

The Videojet 1240 CIJ printer has been designed to be simple to operate and maintain and is ideal for customers who are looking for the maximum functionality for the best upfront cost.

This CIJ printer provides stable performance and reliability across a broad range of operating conditions.



Uptime Advantage

- Leveraging proven and innovative technologies from Videojet legacy models
- Modular wear parts enable easy and reliable replacement by the customer, therefore reducing downtime
- Ability to connect to optional VideojetConnect™ Remote Service for direct access to our technical experts

Code Assurance

- Tablet-like functionality enhances an operator's ability to learn the interface to reduce coding errors
- The SIMPLICiTY™ user interface greatly reduces operator printer interactions, helping to eliminate potential user errors through an intuitive, 8" touchscreen display
- User definable message rules can automate code content without need of operator interaction

Simple Usability

- 8" touchscreen display is intuitive to the operator without the need for extensive training
- On-board 'How to' videos greatly reduce the need for having an operator manual to hand
- The SmartCell design allows for simple, user-performed preventative maintenance

Built-in Productivity

- No mess, no waste, no mistake Videojet Smart Cartridge™
- Reduce waste and rework with the step-by-step guides in the easy-to-use operator interface
- Workflow modules expand functionality
- Automated message rules reduce operator interaction

Videojet® 1240

Continuous Inkjet

Line speed capability

Can print 1 to 5 lines of print at speeds of up to 533fpm (162mpm)
(10 characters per inch, single line of print)

Font matrix configuration

Single-line: 5x5, 5x7, 5x7 Tower, 7x9, 9x12, 10x16, 16x24, 25x34
Twin-line: 5x5, 5x7, 7x9, 9x12, 10x16
Tri-line: 5x5, 5x7, 7x9
Quad-line: 5x5, 5x7
Five-line: 5x5

Linear bar codes

UPC A&E; EAN 8 & 13; Code 128 A, B & C; UCC/EAN 128;
Code 39; Interleaved 2 of 5; GS1

QR codes

21x21, 25x25, 29x29, 33x33
Error correction mode L, M, Q or H

DataMatrix codes

Square Form up to 32x32; Rectangular Form up to 16x48

Nominal character height

Selectable from 0.079" (2mm) to 0.40" (10mm), depending on font

Throw distance

Optimal: 0.472" (12mm)
Range: 0.197" (5mm) to 0.591" (15mm)

User interface

8" high-response TFT-LCD touch screen
WYSIWYG touch to edit message design

Custom logo/graphics

Can be created via optional CLARiSOFT™ software*

Character sets

Chinese, Russian/Bulgarian, Turkish/Scandinavian, Romanian, Greek, Arabic,
Japanese/Kanji, Faroese, Hebrew, Icelandic, Korean, East European, European/American
and Vietnamese

Languages and interface options

English, Arabic, Bulgarian, Czech, Danish, Dutch, Finnish, French, German, Greek,
Hebrew, Hungarian, Italian, Japanese, Korean, Norwegian, Polish, Portuguese, Russian,
Simple Chinese, Spanish, Swedish, Thai, Traditional Chinese, Turkish and Vietnamese

Input/output

Product detect input
Encoder input
Beacon (Alarm light) output
Relay output
USB 2.0 (2x)
Ethernet LAN™

Message storage

More than 250 complex messages

Environmental protection

IP55 standard, no plant air required, stainless steel cabinet

Printhead

Heated printhead
Positive air, no plant air required (optional)
Diameter: 1.63" (41.3mm)
Length: 10.62" (269.8mm)

Printhead umbilical

Ultra flexible
Length: 6.56' (2m)
Diameter: 0.91" (23mm)
Bend radius: 4.0" (101.6mm)

Fluids containers

Ink and Make-up Smart Cartridge™ 0.793 qt. (750ml)

Temperature/humidity range

32°F to 122°F (0°C to 50°C)
0% to 90% RH non-condensing
*With selected inks; actual installation may require additional hardware
based on production environment conditions*

Electrical requirements

Nominal supply power 100-240 VAC at 50/60 Hz, 80W

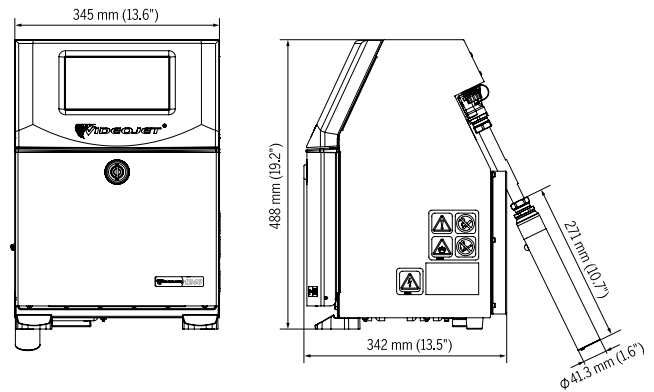
Approximate weight

Unpacked and dry: 39.5lbs (17.9kg)

Options

Dry air kit for high humidity (requires plant air)
RS232 connector kit (USB to Serial DIN-5 male adapter)
SIMPLiCiTY™ Workflow Modules
Wide range of accessories

* CLARiSOFT Package Coding Design software required for bar codes and other advanced functionality.



Call (65) 6349 2282

Email marketing.singapore@videojet.com

or visit www.videojet.sg

Videojet Technologies (S) Pte Ltd

1 Kaki Bukit View

#04-15/17 Techview

Singapore 415941

© 2024 Videojet Technologies Inc. — All rights reserved.

Videojet Technologies Inc.'s policy is one of continued product improvement.
We reserve the right to alter design and/or specifications without notice.

Part No. SL000683
ss-1240-en-sg-0324

